

Injection Molding Machine Special for Medical Industry



Yizumi Precision Molding Technology Co., Ltd.

Address: No.12 Shunchang Road, Shunde, Foshan, Guangdong 528300, China
TEL: 86-757-2921 9764 86-757-2921 9001(overseas) Email: imm@yizumi.com
www.yizumi.com

[DISCLAIMER]

- [1] YIZUMI reserves the right to modify the product description in the catalogue. Specification might be changed without prior notice.
 - [2] The picture in the catalogue is for reference only. The real object should be considered as final.
 - [3] The data in the catalogue is obtained from internal testing in YIZUMI laboratory.
- Please refer to the actual machine for the final data. YIZUMI reserves the right of final interpretation upon disputes and ambiguities.



THINK TECH FORWARD

PRODUCT DETAILS

Injection Molding Machine Special for Medical Industry

PRODUCT DETAILS

The medical industry focuses on people's lives and health. We are well aware of the significant responsibility. YIZUMI medical, rooted in the medical industry, can provide sophisticated injection molding solutions and service of different products that are covering production consultation, research and development, and scale production. YIZUMI is your reliable partner!

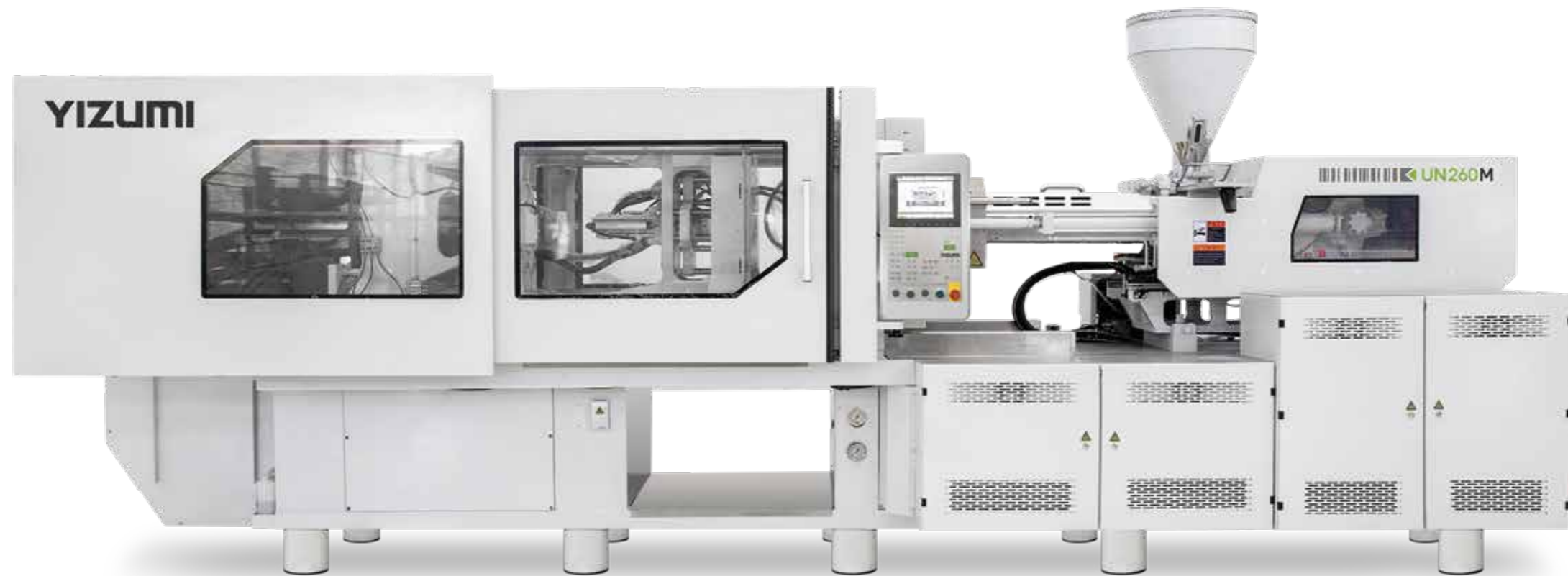
There are many types of medical products, ranging from commonly used therapeutic products, diagnostic products, hemodialysis products to pharmaceutical packaging products, etc. Different products have different raw materials, structures and quality requirements. According to the process characteristics of these products, combined with the requirement of clean room production, YIZUMI creatively launched a series of injection molding machines dedicated to the medical industry, including hydraulic machine, electric machine, hydraulic high-speed machine, electric high-speed machine, to achieve the production of high efficiency, high quality, high stability, and high cleanliness.



Hydraulic Injection Molding Machine Special for Medical Industry

Value Propositions

- High plasticizing efficiency
- High injection speed
- Short dry cycle
- Suitable for clean room production



※ The data above were acquired by testing in the factory, only for your reference.

Technical Highlights

High plasticizing efficiency, good plasticizing effect

For raw materials commonly used in medical industry like PP, PS, high-plasticizing and high-mixing screw is used to improve plasticizing efficiency and effect, with over 20% increase when compared with general screw, showing better plasticizing efficiency;

- ▶ Reduce plasticizing time, effectively shorten molding cycle;
- ▶ Enhance plasticizing quality, effectively improve product quality.



High injection speed

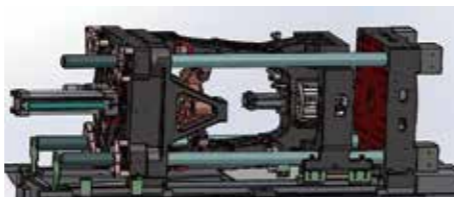
Injection speed can reach up to 120-150mm/s for more diversified molding applications so that requirements of commonly used medical products can be met;

- ▶ For the medical products of complex structure, it can help effectively decrease injection pressure and internal stress of products, causing less warpage deformation;
- ▶ Beneficial to improve concentricity of thin-wall and deep-cavity products, to reduce thickness deviation and product weight.



Short dry cycle

- ▶ Mold opening and closing has a higher accuracy and stability thanks to proportional valve;
- ▶ Stronger power enables faster mold opening and closing;
- ▶ Shorter dry cycle can help effectively shorten molding cycle more than 15%;



Tie-Bar Free Technology

- ▶ No contact between the platen and the tie bars, and no lubricating oil on the tie bars, avoid contamination to product;
- ▶ Low mechanical friction resistance during mold opening and closing, less energy loss;
- ▶ Stable and reliable structure.



Application Case



Syringe barrel (5ml)

Weight: 2.3g
 Number of cavities: 64
 Runner type: Semi hot runner
 Cycle time: 14+/-1s
 IMM Model: UN260M



Virus collection Tubes (5ml)

Weight: 3g
 Number of cavities: 32
 Runner type: Semi hot runner
 Cycle time: 12+/-1s
 IMM Model: UN260M







Respiratory mask

Weight: 14.5g
 Number of cavities: 4
 Runner type: Semi hot runner
 Cycle time: 26+/- 1s
 IMM Model: UN260M

Electric Injection Molding Machine Special for Medical Industry

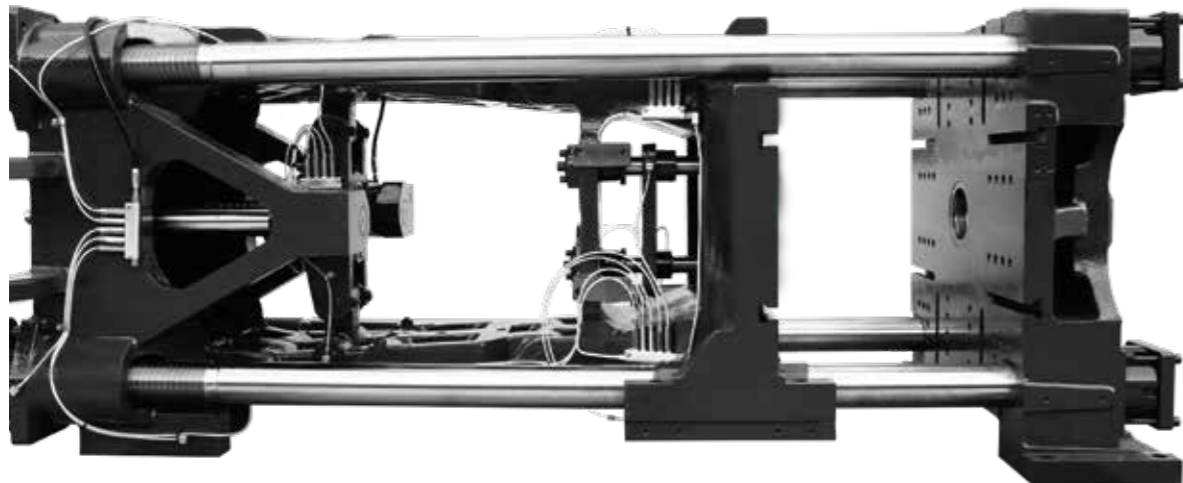
Value Propositions

-  Stable and precision
-  Highly efficient and energy-saving
-  Intelligent and automatic
-  High level of cleanness



※ The data above were acquired by testing in the factory, only for your reference.

Stability and precision

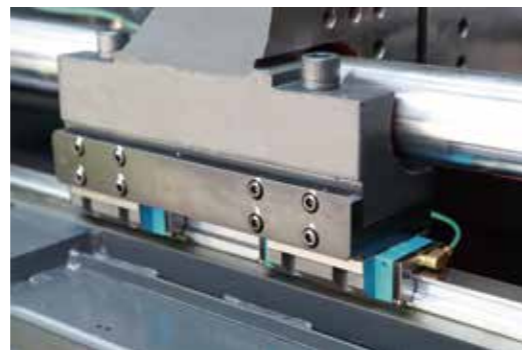


Stable Tie-Bar Free(TBF) structure

- ▶ No contact between the platen and the tie bars, and no lubricating oil on the tie bars, avoid contamination to product;
- ▶ Low mechanical friction resistance during mold opening and closing, less energy loss;
- ▶ Stable and reliable structure.

Linear guide rail structure

- ▶ Guiding accuracy can reach 0.02mm;
- ▶ Fast and stable mold opening and closing, with high repeatability up to $\pm 0.03\text{mm}$.



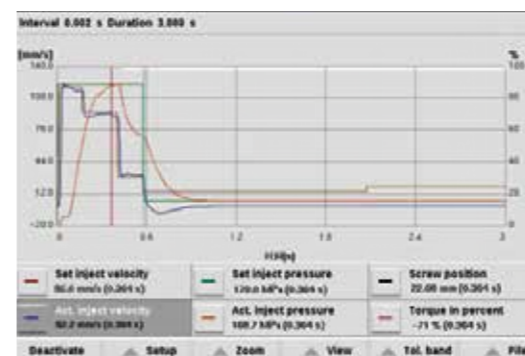
Special screw and barrel

- ▶ The size, processing accuracy, surface treatment and material selection of the screw and barrel adopt German standards;
- ▶ Also improve injection repeatability.



Temperature closed-loop control

- ▶ Static deviation: $\pm 0.5^\circ$



Injection pressure closed-loop control

- ▶ Make the control more precise and the molding more stable and reliable;
- ▶ Stability accuracy of injection pressure and holding pressure up to $\pm 0.1\text{Mpa}$.

Highly efficient and fast

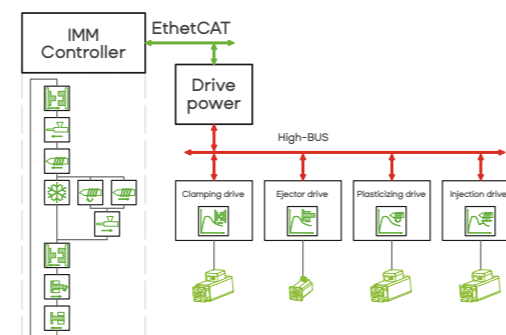
Electrical System

- ▶ Simple and powerful electrical system, suitable for high-performance solutions of electric injection molding machines;
- ▶ 15 inch HD color touch screen, with clear and concise images;
- ▶ Standard with PDP process quality control and SPC process quality statistics function, automatic quality sorting function;
- ▶ Oscilloscope with the function of chart display, and curve recording of process data changes;
- ▶ Real-time remote operation and control through network is available(Optional);
- ▶ Flexible I/O expansion modules integrate more functions as needed, and are freely programmable for advanced hardware and software systems to make scanning cycle of 1ms available, meeting the requirement of "Industry 4.0"(Optional);
- ▶ 16-level user access management to protect data security.



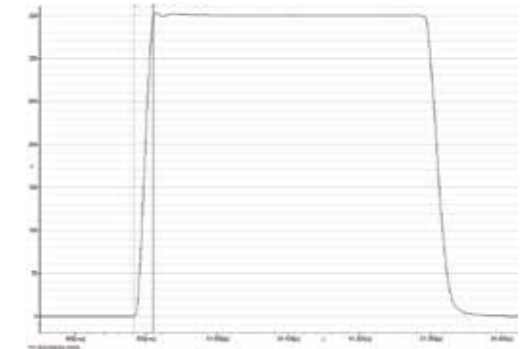
Unique SDC servo direct control technology

- ▶ The process algorithm built into the servo driver is independently developed by YIZUMI;
- ▶ Control cycle was reduced from 2-4ms to 0.125ms;
- ▶ Injection position, mold opening and closing position, switching position and control position accuracy are more accurate.



Fast injection speed, fast acceleration, only need 25ms to accelerate to 350mm/s

- ▶ Easily meeting the molding requirement of products with complex structure and high standards of precision;
- ▶ Standard with fast injection speed for diversified molding requirements.



All-electric configuration

- ▶ Reduce the risk of oil contamination to products;
- ▶ Ensure high accuracy of all machine movements, including ejection;
- ▶ Completely free of hydraulic oil, minimizing the risk of contamination in the clean room.



Intelligent and automatic

Smart clamping force management system (Optional)

- ▶ Smart clamping force setting, maintaining, optimizing, and monitoring.
- ▶ Automatically find the optimal clamping force, improve the service life of molds and machines, and reduce maintenance costs;
- ▶ Reduce machine energy consumption;
- ▶ Improve product quality and reduce quality problems such as flash and trapped gas;
- ▶ Ensure the stable clamping force for stable production.



Intelligent weight control

- ▶ Automatic monitoring and real-time dynamic adjustment of molding process parameters
- ▶ Effectively reduce the impact of external factors on the molding process, such as mold temperature, raw material properties, etc., to improve the stability of the process;
- ▶ Effectively reduce product weight differences and improve consistency.



Application case



Pre-filled Flush Syringes

Material: PP
 Number of cavities: 32
 Cycle time: 12+/-1 s
 IMM Model: FF240M



Syringe needle cap

Material: PP
 Number of cavities: 128
 Runner type: Full hot runner
 Cycle time: 8+/-1s
 IMM Model: FF200M



Micro preservation tube

Material: PP
 Number of cavities: 64
 Cycle time: 8+/-1 s
 IMM Model: FF240M



Dialysis filter screen

Material: PP
 Number of cavities: 16
 Runner type: Full hot runner
 Cycle time: 10s
 IMM Model: FF160M

Hydraulic High-speed Injection Molding Machine Special for Medical Industry

Value Propositions



High-rigidity



High injection speed



Small footprint



Suitable for clean room production



※ The data above were acquired by testing in the factory, only for your reference.

Highlights

High-strength toggle

- ▶ Enhance the strength and rigidity of the toggle, to extend the machine service life and improve the operation stability of machine under high speed and high strength;
- ▶ Large inward toggle reduces platen deformation and effectively ensures product quality.



High-rigidity clamping unit

- ▶ Suitable for large length-diameter ratio or deep cavity product, it can significantly improve the clamping force and better protect the mold.



Single-cylinder injection system

- ▶ The maximum injection speed is up to 500mm/s (Optional);
- ▶ It can be equipped with an electric injection unit to improve the injection accuracy and speed, and achieve synchronous plasticizing (Optional);
- ▶ Equipped with screw of large length-diameter ratio to improve plasticizing efficiency.



Compact structural design

- ▶ Small footprint and space saving. The P250M machine occupies an area of 5.76m×1.73m×2.28m.



Application case



Blood collection tube

Material: PET
 Number of cavities: 32, 48, 64
 Runner type: Full hot runner
 Cycle time: 8+/-1s
 IMM Model: P250M



Centrifuge tube

Material: PP
 Number of cavities: 32, 48, 64
 Runner type: Full hot runner
 Cycle time: 8+/-1s
 IMM Model: P250M



Petri dish

Material: PS
 Number of cavities: 8
 Runner type: Full hot runner
 Cycle time: 6+/-1s
 IMM Model: P250M

Clean configuration

Injection molding machines special for medical industry have configuration with high levels of cleanliness to meet the requirement of clean-room production, and have a number of unique designs to help achieve pollution-free clean-room production, with increased productivity and less energy consumption.

- ▶ White machine outlook, scratch resistant spray coating;
- ▶ Over 100mm gap between the machine bottom and ground, easy to clean;
- ▶ Machine height is specially designed for clean room of height limit.
- ▶ Enclosed machine foot, easy to clean.



- ▶ Smooth and clean platen
- ▶ No T-slot on platen
- ▶ Nickel plating platen (Optional)



- ▶ Stainless steel hopper is used to ensure product cleanliness, easy to clean.



- ▶ Enclosed structure of machine exposed parts, clean and tidy.



- ▶ The periphery of the platen is covered with stainless steel plates, clean and easy to tidy;
- ▶ The machine door adopts stainless steel guide rails, with the height of the upper guide rail same as that of the upper tie bar, which is clean and convenient for using the robot.



- ▶ The lower part of the product dropping area is covered with stainless steel plates, which is clean and wear-resistant.



Clean configuration (Optional)

Plasticizing unit adopts infrared heater band(Optional)

- ▶ The surface temperature of the infrared heater band is ≤ 60 degrees, which can effectively reduce energy consumption in the clean room;
Reduce heat dissipation from machine;
Reduce the turbulence caused by machine;
Better energy-saving effect.



Dust-proof nozzle guard (Optional)

- ▶ One-click to exhaust smoke and dust from nozzle;
- ▶ Reduce dust emission to ensure clean production environment.



One-button automatic tie-bar extraction (Optional)

- ▶ Convenient for the installation of big-size mold;
Effectively reduce the height of clean room.



Built-in conveyor belt (Optional)

- ▶ The conveyor belt adopts a dust-proof and clean design;
- ▶ The IMM operation system integrates the control of conveyor belt, allowing direct control of conveyor belt movement, speed, etc., through the operation interface of injection molding machine.



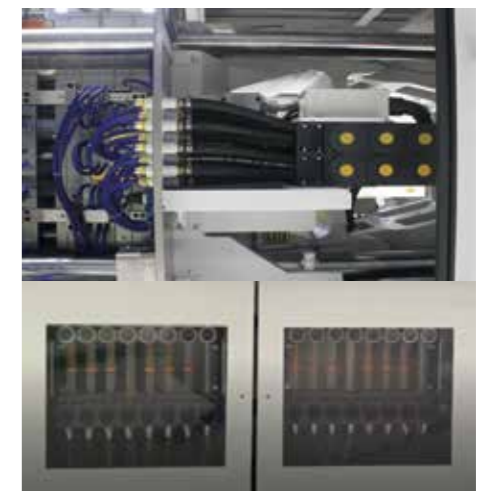
Sampling chute (Optional)

- ▶ IMM integrated control, facilitating product sampling;
- ▶ Connected with a controller system, to achieve automatic quality sorting.



Cooling water manifold base+ manifold flow meter (Optional)

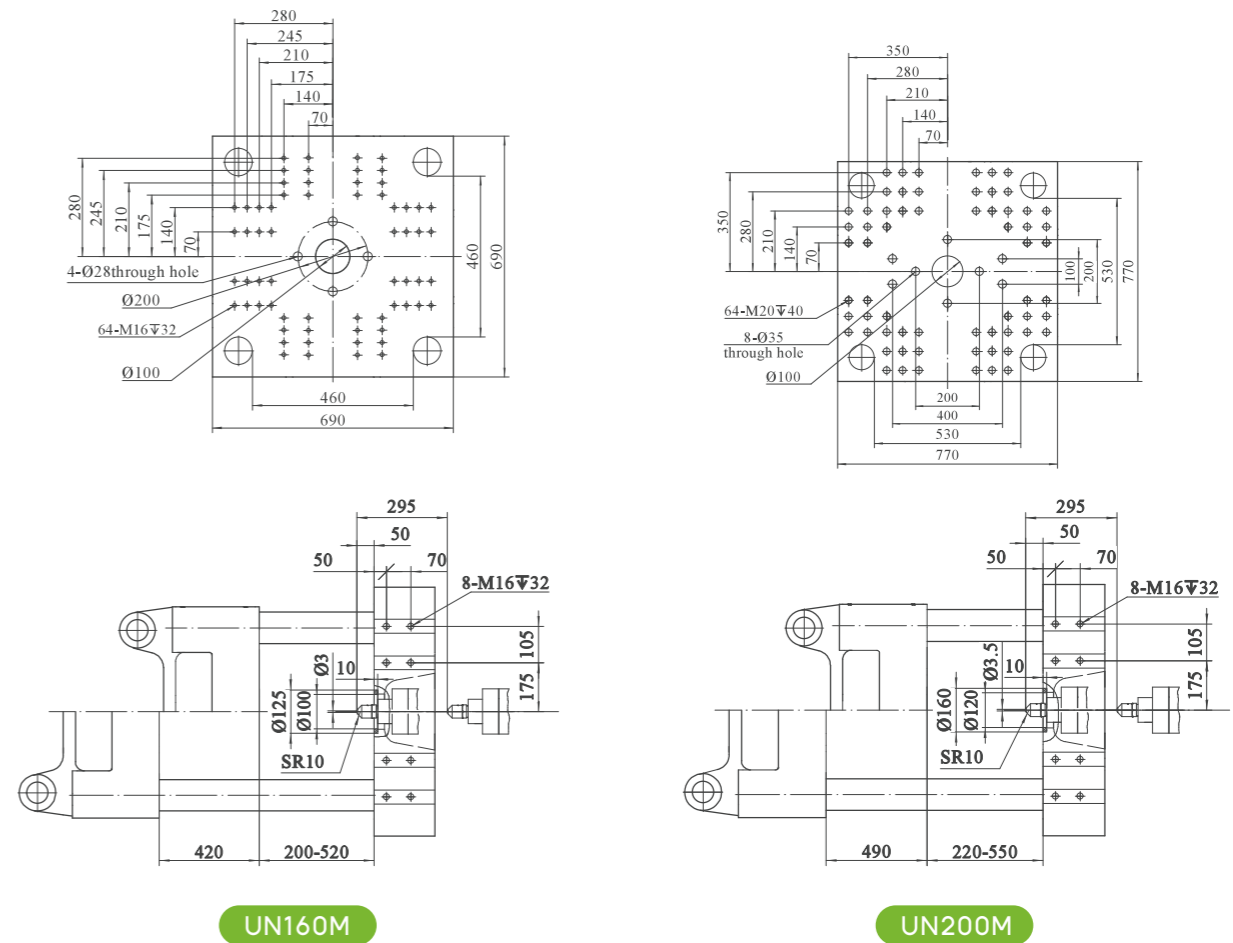
- ▶ Cooling water manifold is sealed and built-in, while the base is placed at the side of the platen, convenient to connect the mold water channel and monitor the situation.



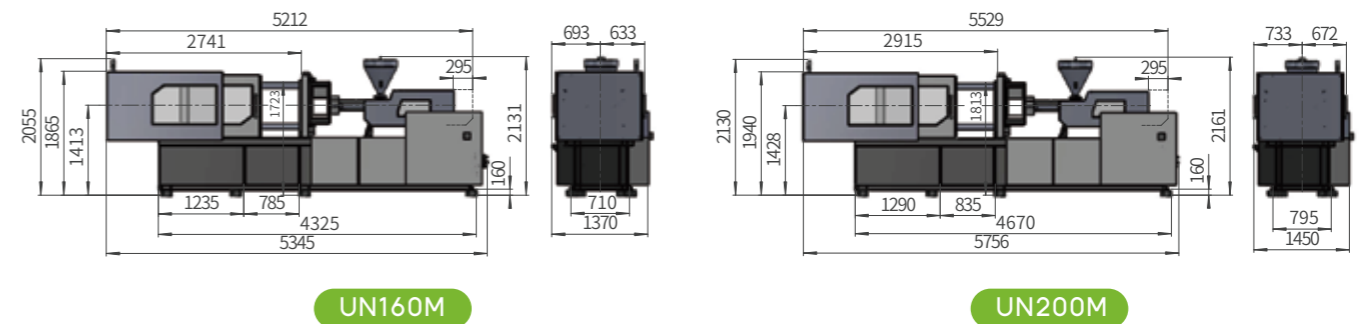
UN160-200M Specifications

Descriptions	UN160M		UN200M		
	A	B	A	B	
International Size	604/1600		895/2000		
INJECTION UNIT					
Screw diameter	mm	43	48	48	53
Screw L:D ratio	-	22.3:1	20:1	22:1	20:1
Screw stroke	mm	205	205	235	235
Theoretical shot volume	cm ³	298	371	425	518
Shot weight (PP)	g	214	267	306	373
	oz	7.6	9.4	10.8	13.2
Injection pressure	MPa	203	163	211	173
Injection rate	cm ³	185	231	227	277
Injection speed	mm/s	128	128	125	125
Screw speed	r/min	0-250	0-250	0-250	0-250
CLAMPING UNIT					
Clamping force	kN	1600		2000	
Opening stroke	mm	420		490	
Space between tie bars (WxH)	mmxmm	460x460		530x530	
Mold thickness (min.-max.)	mm	200-520		220-550	
Max. daylight	mm	940		1040	
Ejector force	kN	42		49	
Ejector stroke	mm	140		150	
Number of ejector pin holes	-	5		5	
POWER UNIT					
Max. system pressure	MPa	17.5		17.5	
Motor power	kW	24		34.7	
Heating power	kW	10.9	10.9	14.4	14.4
Number of temperature control zones	-	4	4	5	5
GENERAL					
Dry cycle time	s	2.1		2.2	
Oil tank capacity	L	255		330	
Machine dimensions (LxWxH)	m	5.35x1.37x2.13		5.76x1.45x2.16	
Machine weight	Kg	5000		6500	

Platen Dimensions



Machine Dimensions

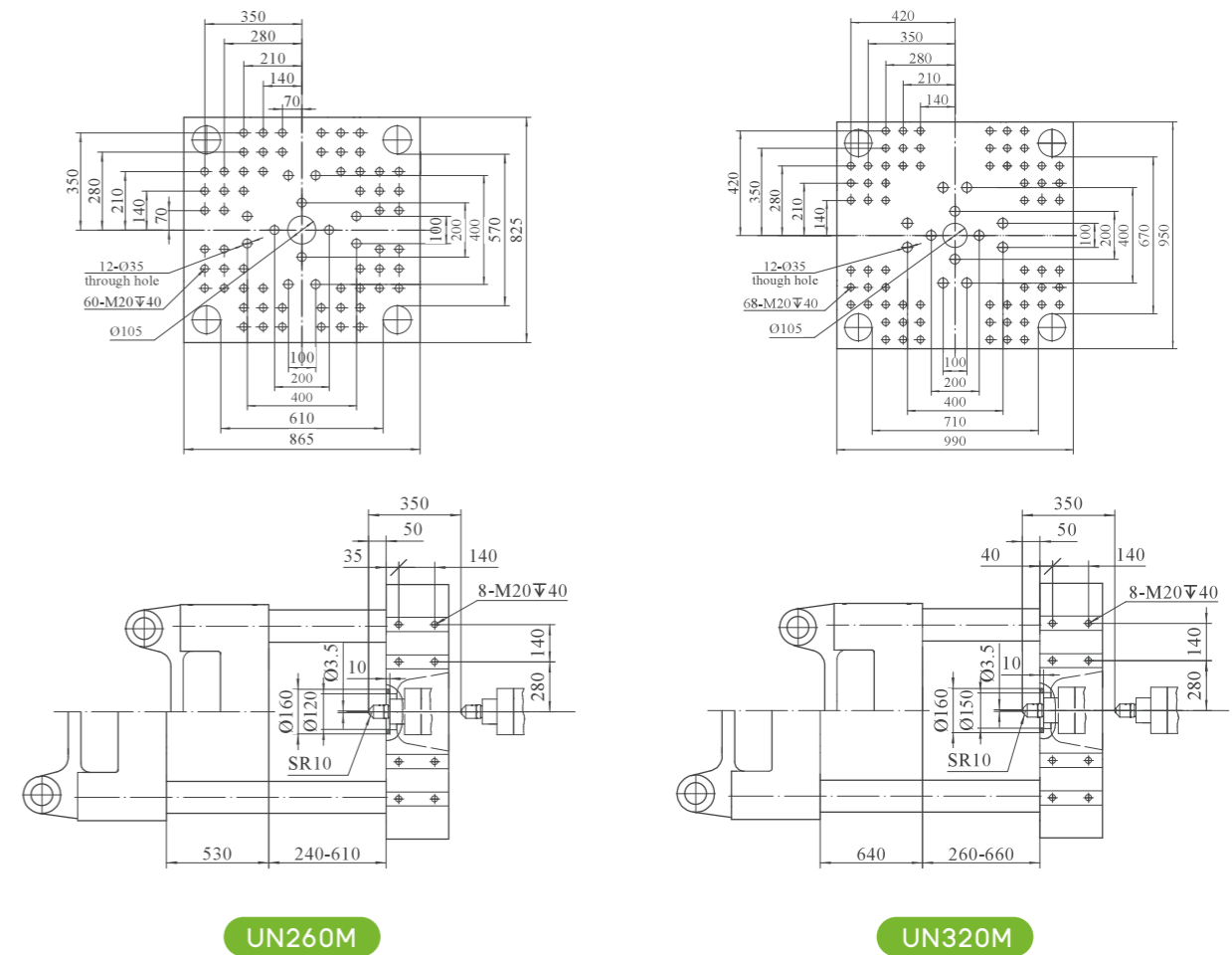


Note: 1. Theoretical shot volume= barrel sectional area * injection stroke
 2. Shot weight=shot volume * 0.72 (for GPPS)
 3. Due to improvement, specifications may be changed without prior notice.
 4. Please let us know if you have engineering-plastics products (PVC, PC or PMMA etc.) or any special requirement.

UN260-320M Specifications

Descriptions	UN260M		UN320M		
	A	B	A	B	
International Size	1269/2600		1885/3200		
INJECTION UNIT					
Screw diameter	mm	53	60	60	68
Screw L:D ratio	-	24:1	24:1	24:1	24:1
Screw stroke	mm	265	265	295	295
Theoretical shot volume	cm ³	584	749	834	1071
Shot weight (PP)	g	421	539	600	771
	oz	14.8	19.0	21.2	27.2
Injection pressure	MPa	217	169	226	176
Injection rate	cm ³	336	430	361	463
Injection speed	mm/s	152	152	128	128
Screw speed	r/min	0-250	0-250	0-250	0-250
CLAMPING UNIT					
Clamping force	kN	2600		3200	
Opening stroke	mm	530		640	
Space between tie bars (WxH)	mmxmm	610X570		710X670	
Mold thickness (min.-max.)	mm	240-610		260-660	
Max. daylight	mm	1140		1300	
Ejector force	kN	77		77	
Ejector stroke	mm	160		170	
Number of ejector pin holes	-	13		13	
POWER UNIT					
Max. system pressure	MPa	17.5		17.5	
Motor power	kW	59.6		60.5	
Heating power	kW	19.9	20.8	26.6	26.6
Number of temperature control zones	-	5	5	5	5
GENERAL					
Dry cycle time	s	2.3		2.6	
Oil tank capacity	L	450		510	
Machine dimensions (LxWxH)	m	6.46x1.67x2.39		7.19x1.81x2.52	
Machine weight	Kg	8250		13500	

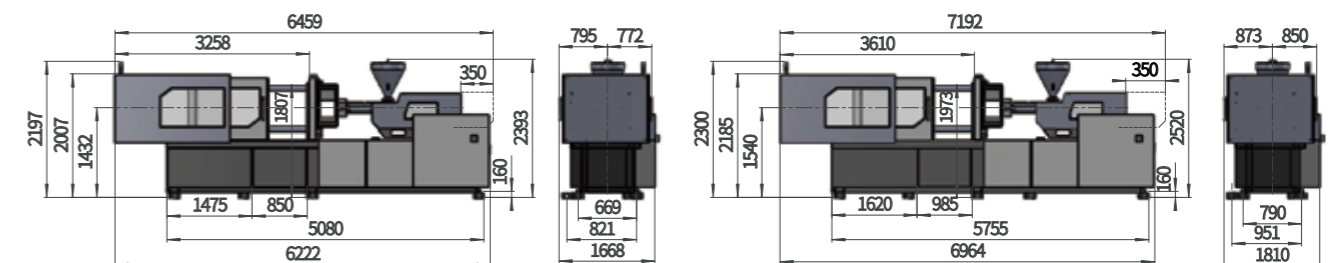
Platen Dimensions



UN260M

UN320M

Machine Dimensions



UN260M

UN320M

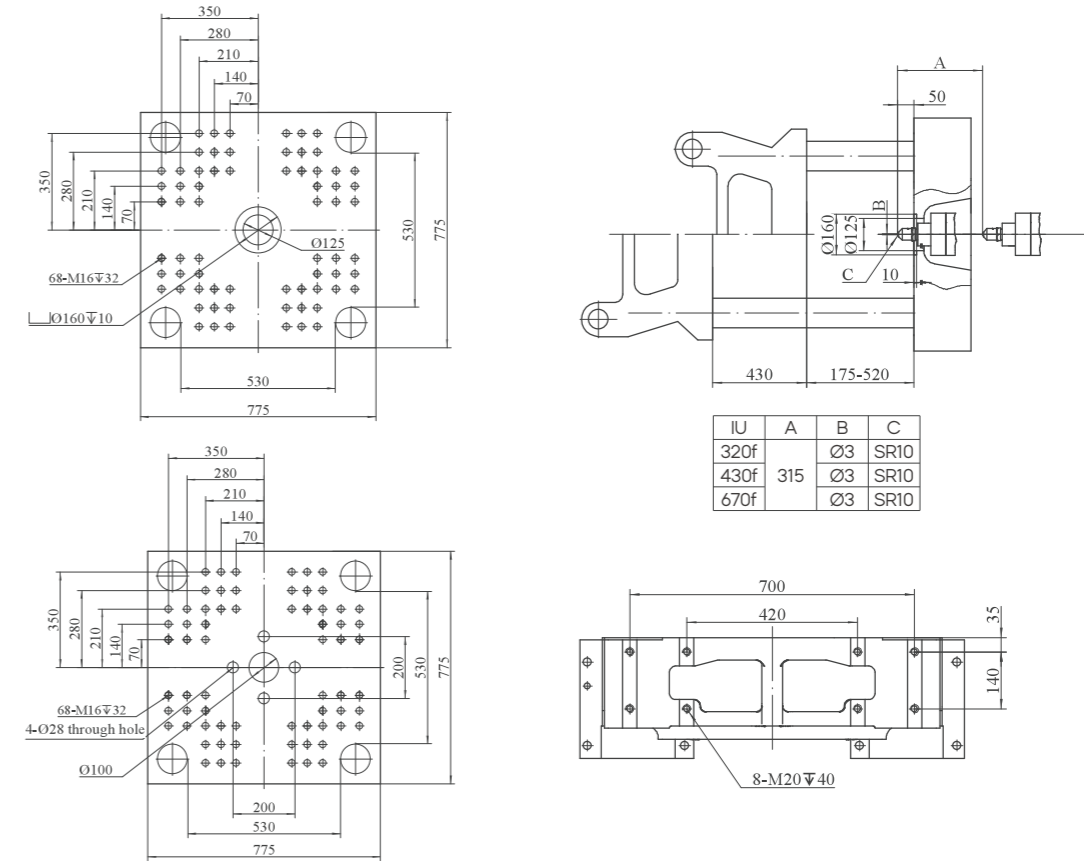
Note: 1. Theoretical shot volume= barrel sectional area * injection stroke
 2. Shot weight=shot volume * 0.72 (for GPPS)
 3. Due to improvement, specifications may be changed without prior notice.
 4. Please let us know if you have engineering-plastics products (PVC, PC or PMMA etc.) or any special requirement.

FF160M Specifications

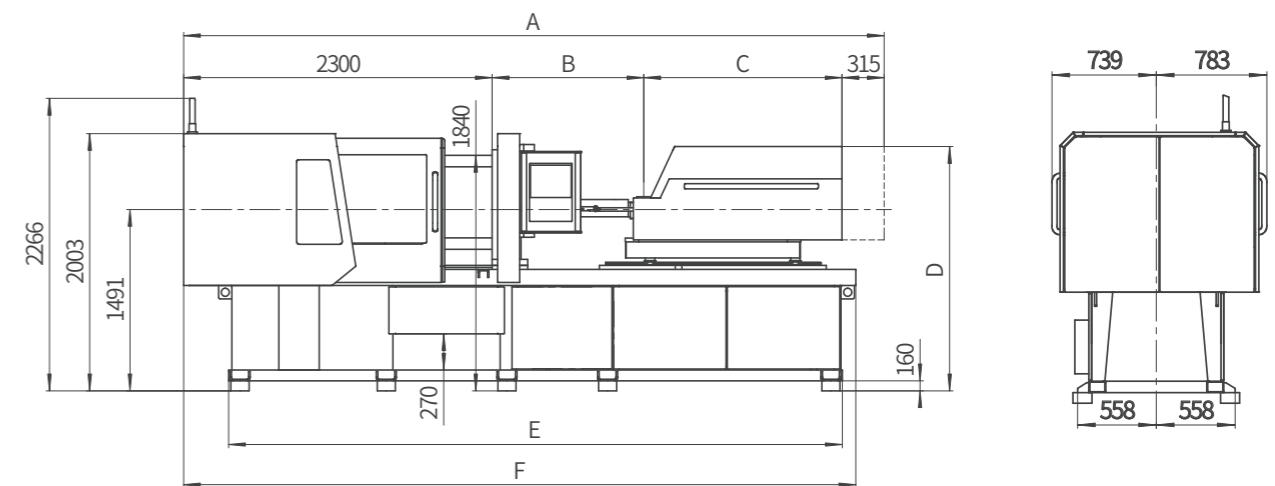
Descriptions		IU320f		IU430f		IU670f	
International Size		317		427		668	
		A	B	A	B	A	B
INJECTION UNIT							
Screw diameter	mm	30	35	35	40	40	48
Screw L:D ratio	-	24:1	20:1	24:1	20:1	22.3:1	20:1
Screw stroke	mm	165		170		205	
Theoretical shot volume	cm ³	117	159	164	214	258	371
Shot weight (PP)	g	84	114	118	154	185	267
Injection pressure	MPa	272	200	261	200	259	180
Holding pressure	MPa	218	160	209	160	207	144
Injection speed	mm/s	350		350		350	
Injection rate	cm ³ /s	247	337	377	440	440	633
Screw speed	rpm	400		400		350	
Nozzle contact force	kN	30		40		40	
Heating power	kW	7.3		8.9		10.6 10.9	
Total power	kW	52.4		56.9		61	
Total current	A	88.4		96		103	
CLAMPING UNIT							
Clamping force	kN	1600					
Opening stroke	mm	430					
Space between tie bars (WxH)	mm	530x530					
Mold thickness (min.-max.)	mm	195-520					
Ejector force	kN	125					
Ejector stroke	mm	40					
Number of ejector pin holes	-	5					
GENERAL							
Machine dimensions (LxWxH)	m	4.96x1.52x2.2		5.08x1.52x2.2		5.41x1.52x2.2	
Machine weight	Kg	5850		6300		6380	

- Note: 1. Theoretical shot volume= barrel sectional area * injection stroke
- 2. Shot weight=shot volume * 0.72 (for GPPS)
- 3. Due to improvement, specifications may be changed without prior notice.
- 4. Please let us know if you have engineering-plastics products (PVC, PC or PMMA etc.) or any special requirement.

Platen Dimensions



Machine Dimensions



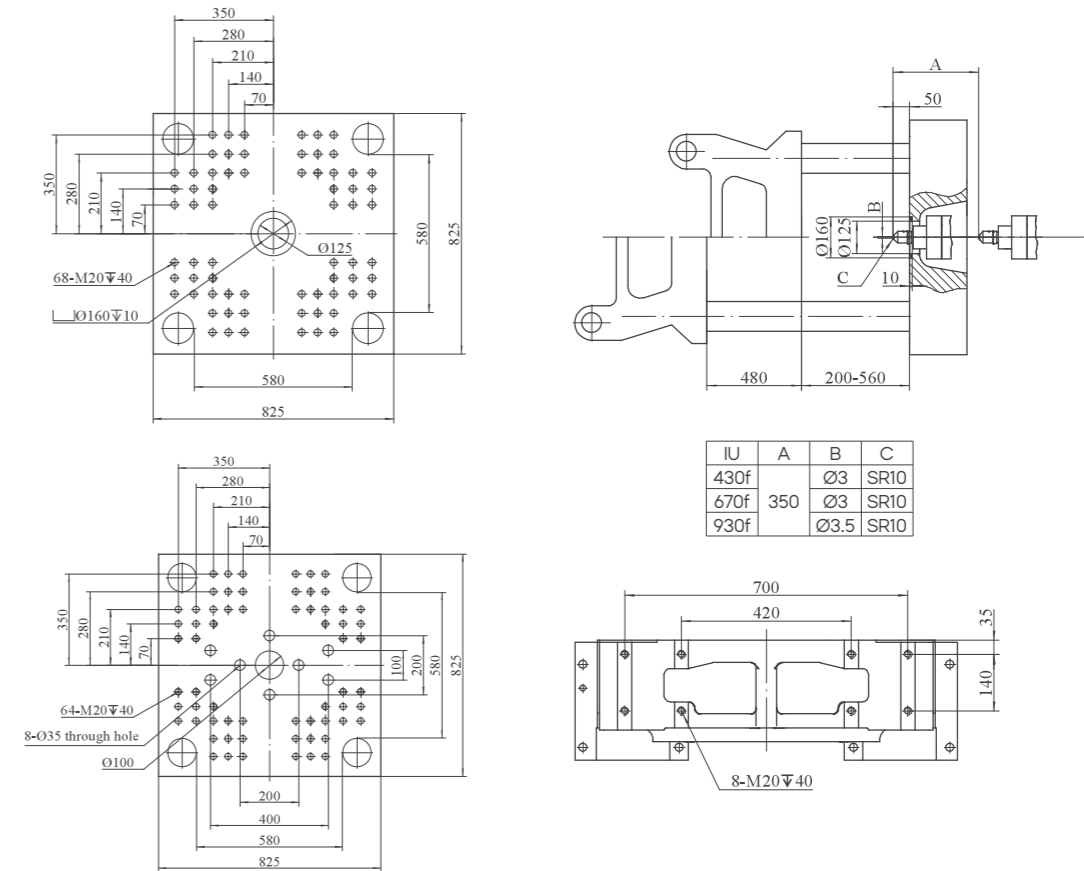
Injection model	A(A/B)	B(A/B)	C	D	E	F
IU320f	4959/4959	866/866	1478	1960	4575	5010
IU430f	5077	1007	1455			
IU670f	5414/5414	1106/1106	1693	1894	4915	5350

FF200M Specifications

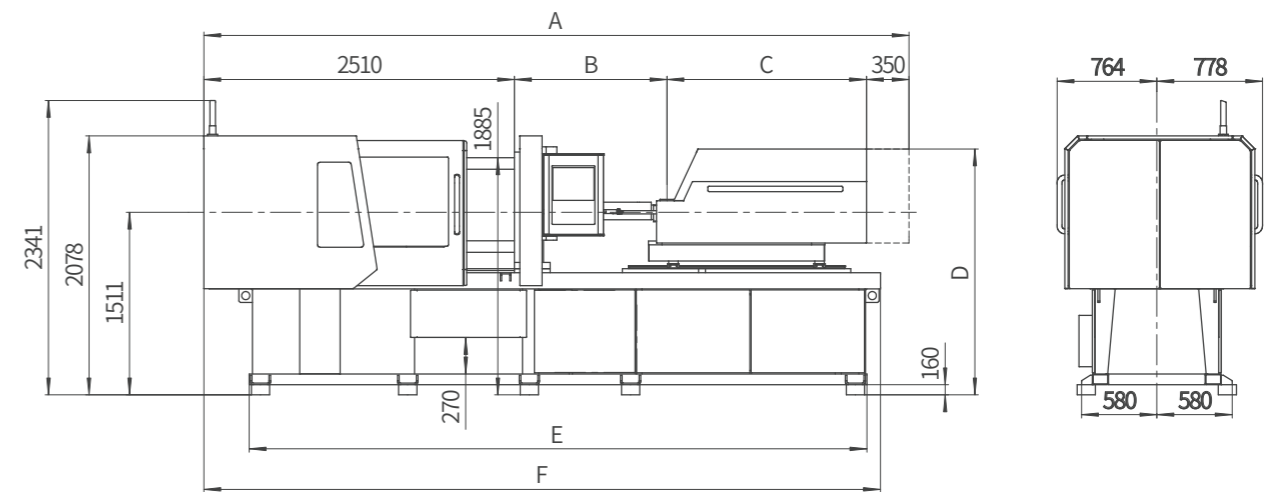
Descriptions		IU430f		IU670f		IU930f	
International Size		427		668		933	
		A	B	A	B	A	B
INJECTION UNIT							
Screw diameter	mm	35	40	40	48	48	53
Screw L:D ratio	-	24:1	20:1	22.3:1	20:1	22:1	20:1
Screw stroke	mm	170		205		235	
Theoretical shot volume	cm ³	164	214	258	371	425	518
Shot weight (PP)	g	118	154	185	267	306	373
Injection pressure	MPa	261	200	259	180	219	180
Holding pressure	MPa	209	160	207	144	176	144
Injection speed	mm/s	350		350		350	
Injection rate	cm ³ /s	337	440	440	633	633	772
Screw speed	rpm	400		350		320	
Nozzle contact force	kN	40		40		60	
Heating power	kW	8.9		10.6	10.9	13.6	
Total power	kW	56.9		61		111.9	
Total current	A	96		103		188.9	
CLAMPING UNIT							
Clamping force	kN	2000					
Opening stroke	mm	480					
Space between tie bars (WxH)	mm	580x580					
Mold thickness (min.-max.)	mm	220-560					
Ejector force	kN	40					
Ejector stroke	mm	125					
Number of ejector pin holes	-	9					
GENERAL							
Machine dimensions (LxWxH)	m	5.55x1.54x2.24		5.66x1.54x2.24		5.95x1.54x2.24	
Machine weight	Kg	6730		6810		7450	

- Note: 1. Theoretical shot volume= barrel sectional area * injection stroke
- 2. Shot weight=shot volume * 0.72 (for GPPS)
- 3. Due to improvement, specifications may be changed without prior notice.
- 4. Please let us know if you have engineering-plastics products (PVC, PC or PMMA etc.) or any special requirement.

Platen Dimensions



Machine Dimensions



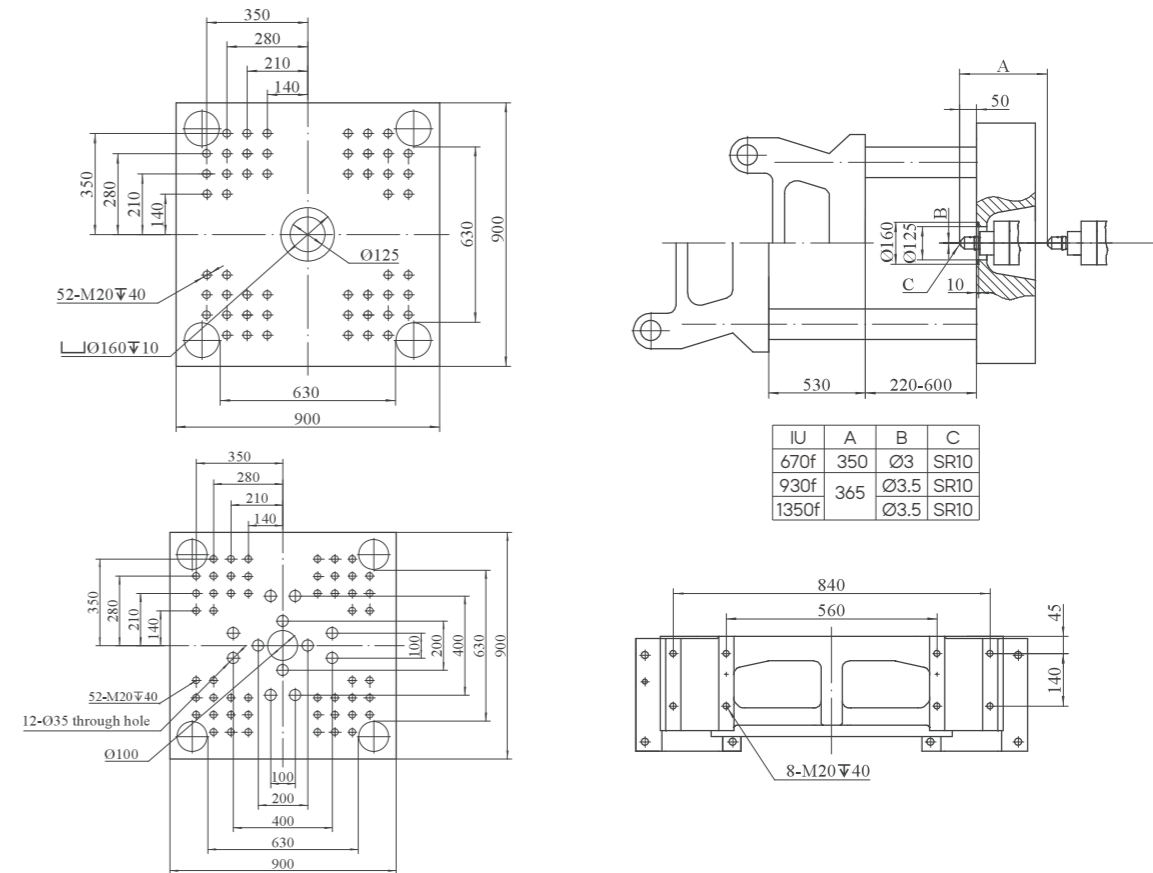
Injection model	A(A/B)	B(A/B)	C	D	E	F
IU430f	5322	1007	1455	1907	5115	5550
IU670f	5659/5659	1106/1106	1693	1977	5115	5550
IU930f	5949/5949	1219/1219	1870	2092	5415	5850

FF240M Specifications

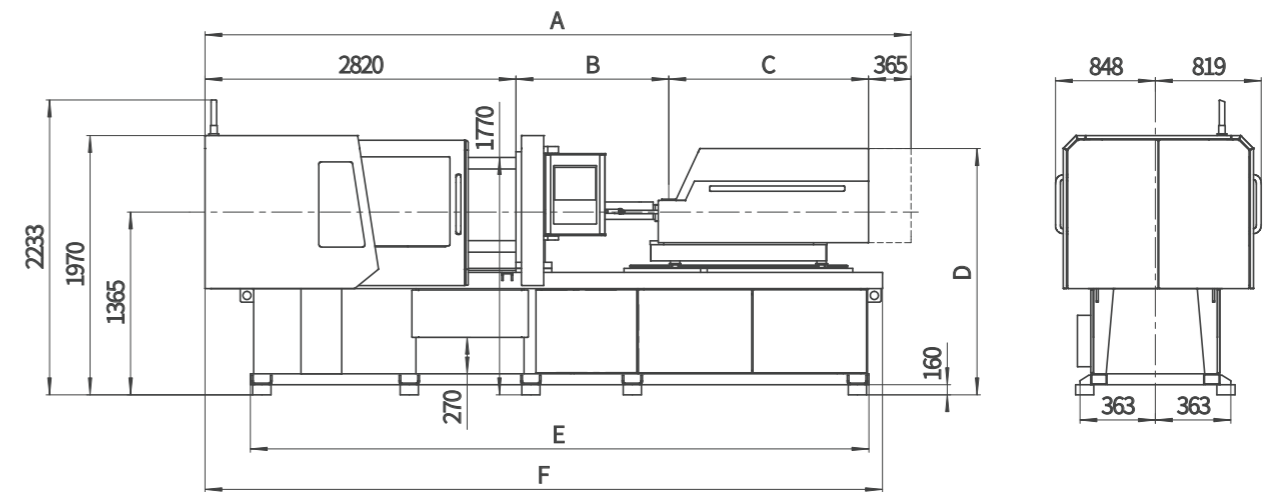
Descriptions		IU670f		IU930f		IU1350f	
International Size		668		933		1349	
		A	B	A	B	A	B
INJECTION UNIT							
Screw diameter	mm	40	48	48	53	53	60
Screw L:D ratio	-	22.3:1	20:1	22:1	20:1	22.6:1	20:1
Screw stroke	mm	205		235		265	
Theoretical shot volume	cm ³	258	371	425	518	585	749
Shot weight (PP)	g	185	267	306	373	421	539
Injection pressure	MPa	259	180	219	180	231	180
Holding pressure	MPa	207	144	176	144	185	144
Injection speed	mm/s	350		350		250	
Injection rate	cm ³ /s	440	633	633	772	552	707
Screw speed	rpm	350		320		300	
Nozzle contact force	kN	40		60		60	
Heating power	kW	10.6	10.9	13.6		16.4	
Total power	kW	61		111.9		119.7	
Total current	A	103		188.9		202	
CLAMPING UNIT							
Clamping force	kN	2400					
Opening stroke	mm	530					
Space between tie bars (WxH)	mm	630x630					
Mold thickness (min.-max.)	mm	220-600					
Ejector force	kN	55.6					
Ejector stroke	mm	150					
Number of ejector pin holes	-	13					
GENERAL							
Machine dimensions (LxWxH)	m	6.17x1.67x2.23		6.27x1.67x2.23		6.82x1.67x2.23	
Machine weight	Kg	9200		9840		10950	

- Note: 1. Theoretical shot volume= barrel sectional area * injection stroke
 2. Shot weight=shot volume * 0.72 (for GPPS)
 3. Due to improvement, specifications may be changed without prior notice.
 4. Please let us know if you have engineering-plastics products (PVC, PC or PMMA etc.) or any special requirement.

Platen Dimensions



Machine Dimensions



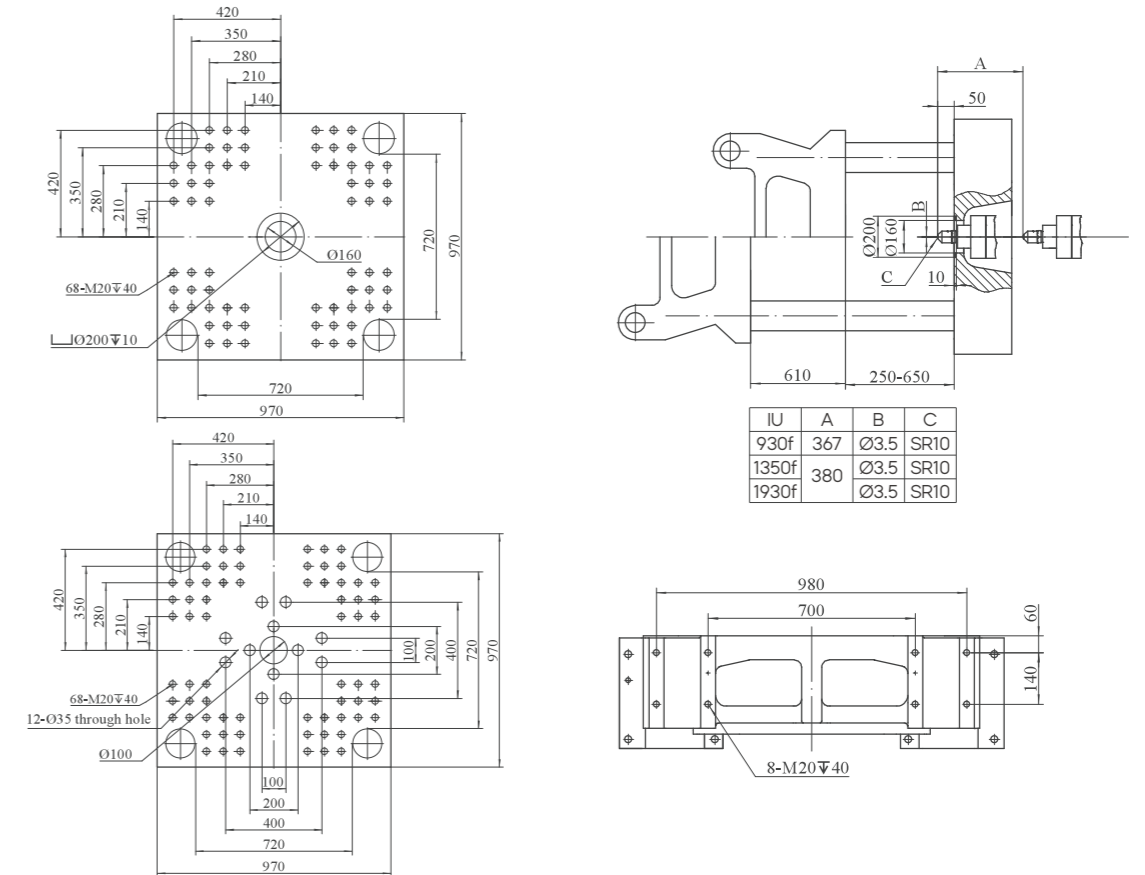
Injection model	A(A/B)	B(A/B)	C	D	E	F
IU670f	5924/5984	1046/1106	1693	1832	5705	6170
IU930f	6274/6274	1219/1219	1870	1947		
IU1350f	6799/6799	1391/1391	2223	1980	6335	6820

FF300M Specifications

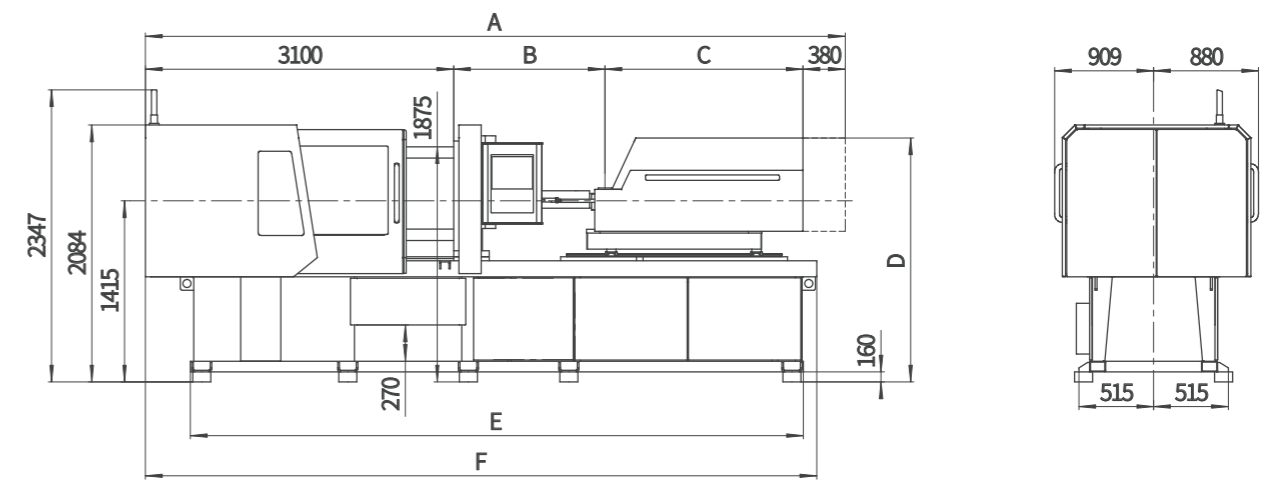
Descriptions		IU930f		IU1350f		IU1930f	
International Size		933		1349		1928	
		A	B	A	B	A	B
INJECTION UNIT							
Screw diameter	mm	48	53	53	60	60	68
Screw L:D ratio	-	22:1	20:1	22.6:1	20:1	22.6:1	20:1
Screw stroke	mm	235		265		295	
Theoretical shot volume	cm ³	425	518	585	749	834	1071
Shot weight (PP)	g	306	373	421	539	601	771
Injection pressure	MPa	219	180	231	180	231	180
Holding pressure	MPa	176	144	185	144	185	144
Injection speed	mm/s	350		250		250	
Injection rate	cm ³ /s	633	772	552	707	707	908
Screw speed	rpm	320		300		250	
Nozzle contact force	kN	60		60		60	
Heating power	kW	13.6		16.4		22.2	
Total power	kW	111.9		119.7		136.8	
Total current	A	188.9		202		231	
CLAMPING UNIT							
Clamping force	kN	3000					
Opening stroke	mm	610					
Space between tie bars (WxH)	mm	720x720					
Mold thickness (min.-max.)	mm	250-650					
Ejector force	kN	55.6					
Ejector stroke	mm	150					
Number of ejector pin holes	-	13					
GENERAL							
Machine dimensions (LxWxH)	m	7.01x1.79x2.35		7.09x1.79x2.35		7.34x1.79x2.35	
Machine weight	Kg	11370		12480		12900	

- Note: 1. Theoretical shot volume= barrel sectional area * injection stroke
- 2. Shot weight=shot volume * 0.72 (for GPPS)
- 3. Due to improvement, specifications may be changed without prior notice.
- 4. Please let us know if you have engineering-plastics products (PVC, PC or PMMA etc.) or any special requirement.

Platen Dimensions



Machine Dimensions



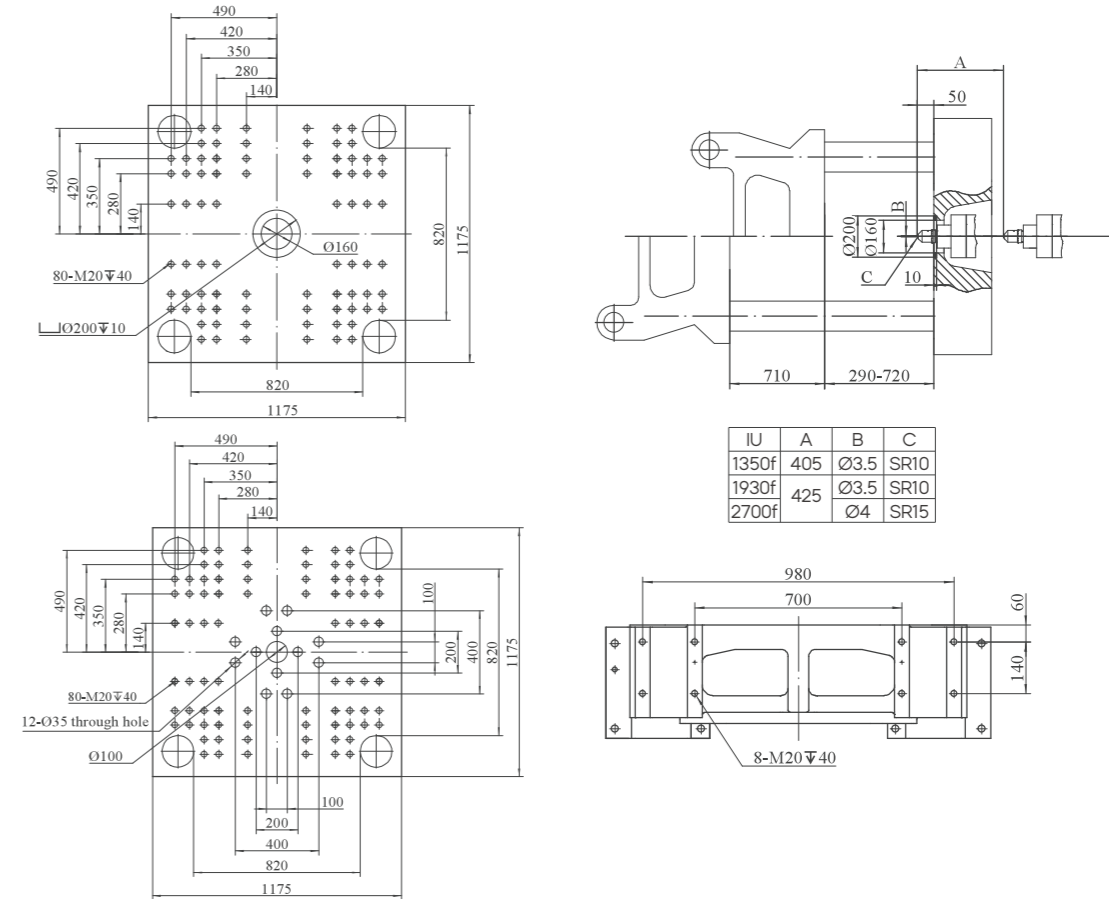
Injection model	A(A/B)	B(A/B)	C	D	E	F
IU930f	6569/6569	1219/1219	1870	1995	6460	7010
IU1350f	7094/7094	1391/1391	2223	2030	6460	7010
IU1930f	7085/7085	1565/1565	2040	2140	6770	7335

FF380M Specifications

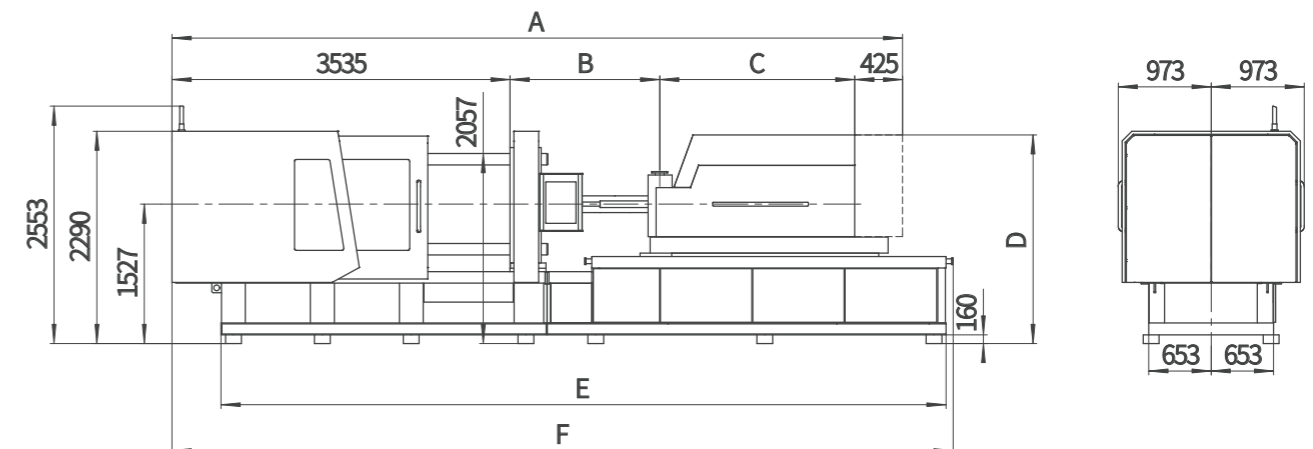
Descriptions		IU1350f		IU1930f		IU2700f	
International Size		1349		1928		2695	
		A	B	A	B	A	B
INJECTION UNIT							
Screw diameter	mm	53	60	60	68	68	76
Screw L:D ratio	-	22.6:1	20:1	22.6:1	20:1	22.3:1	20:1
Screw stroke	mm	265		295		330	
Theoretical shot volume	cm ³	585	749	834	1071	1198	1497
Shot weight (PP)	g	421	539	601	771	863	1078
Injection pressure	MPa	231	180	231	180	225	180
Holding pressure	MPa	185	144	185	144	180	144
Injection speed	mm/s	250		250		200	
Injection rate	cm ³ /s	552	707	707	908	726	907
Screw speed	rpm	300		250		200	
Nozzle contact force	kN	60		60		100	
Heating power	kW	16.4		22.2		26.3	
Total power	kW	119.7		136.8		162.3	
Total current	A	202		231		274	
CLAMPING UNIT							
Clamping force	kN	3800					
Opening stroke	mm	710					
Space between tie bars (WxH)	mm	820x820					
Mold thickness (min.-max.)	mm	290-720					
Ejector force	kN	99					
Ejector stroke	mm	200					
Number of ejector pin holes	-	13					
GENERAL							
Machine dimensions (LxWxH)	m	8.17x1.95x2.49		8.17x1.95x2.49		8.17x1.95x2.49	
Machine weight	Kg	16880		17300		18690	

- Note: 1. Theoretical shot volume= barrel sectional area * injection stroke
 2. Shot weight=shot volume * 0.72 (for GPPS)
 3. Due to improvement, specifications may be changed without prior notice.
 4. Please let us know if you have engineering-plastics products (PVC, PC or PMMA etc.) or any special requirement.

Platen Dimensions



Machine Dimensions



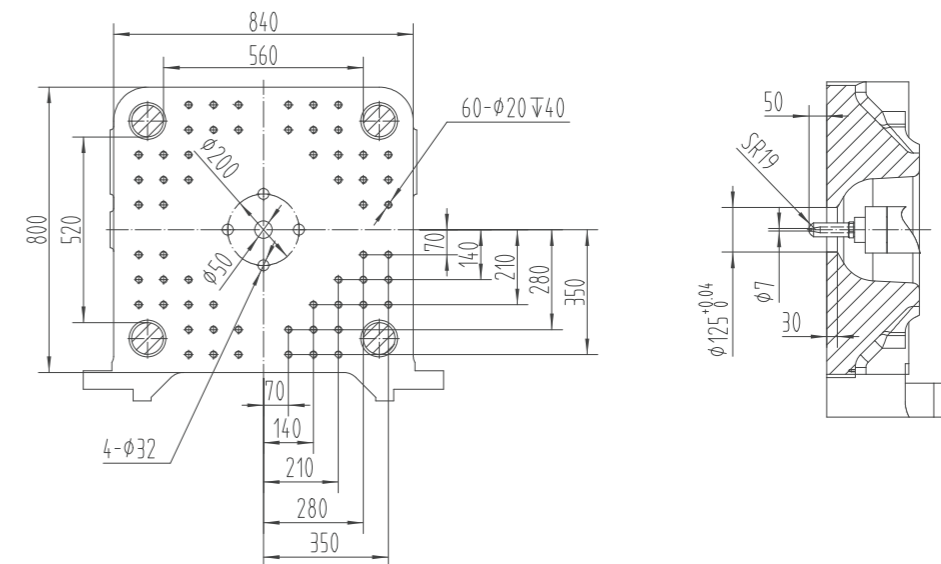
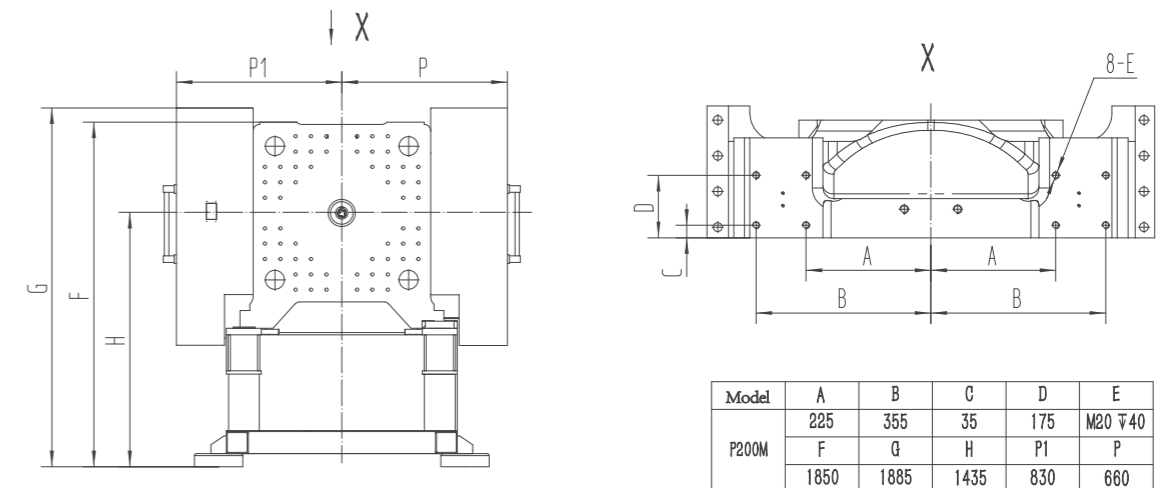
Injection model	A(A/B)	B(A/B)	C	D	E	F
IU1350f	7574/7574	1391/1391	2223	2142	7582	8169
IU1930f	7565/7565	1565/1565	2040	2252		
IU2700f	8074/8074	1769/1769	2345			

P200M Specifications

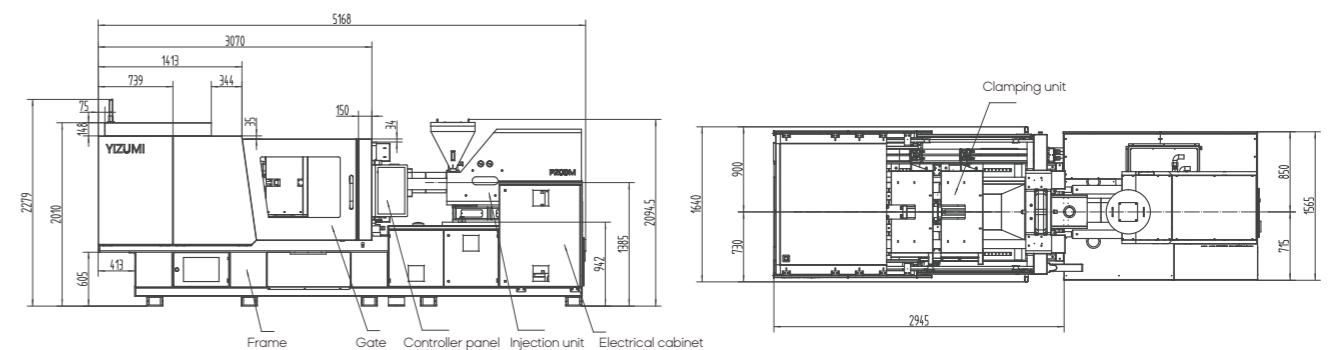
Descriptions	P200M	
International Size	440/2000	
INJECTION UNIT		
Screw diameter	mm	40 45
Screw L:D ratio	-	20:1
Screw stroke	mm	176
Theoretical shot volume	cm ³	221 280
Shot weight (PP)	g	159 201
	oz	5.6 7.1
Injection pressure	MPa	199 157
Injection speed	mm/s	247
Screw speed	r/min	0-300
CLAMPING UNIT		
Clamping force	kN	2000
Opening stroke	mm	500
Space between tie bars (WxH)	mmxmm	560x520
Mold thickness (min.-max.)	mm	200-550
Max. daylight	mm	1050
Ejector force	kN	77
Ejector stroke	mm	150
Number of ejector pin holes	-	5
POWER UNIT		
Max. system pressure	MPa	17.5
Motor power	kW	55
Heating power	kW	9.5 10
Number of temperature control zones	-	5
GENERAL		
Oil tank capacity	l	500
Machine dimensions (LxWxH)	m	5.17x1.64x2.28
Machine weight	Kg	7500

- Note: 1. Theoretical shot volume= barrel sectional area * injection stroke
 2. Shot weight=shot volume * 0.72 (for GPPS)
 3. Due to improvement, specifications may be changed without prior notice.
 4. Please let us know if you have engineering-plastics products (PVC, PC or PMMA etc.) or any special requirement.

Platen Dimensions



Machine Dimensions

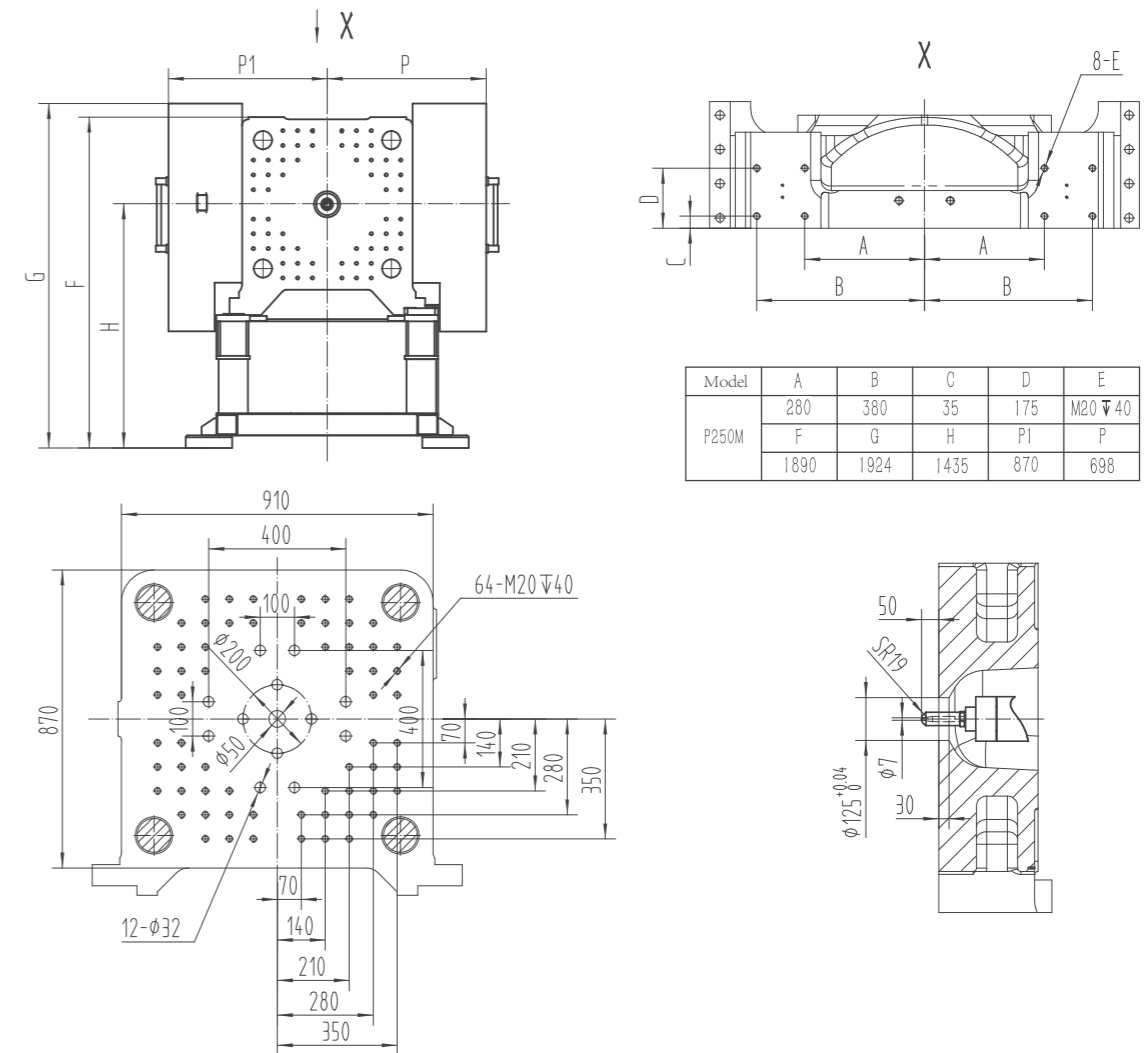


P250M Specifications

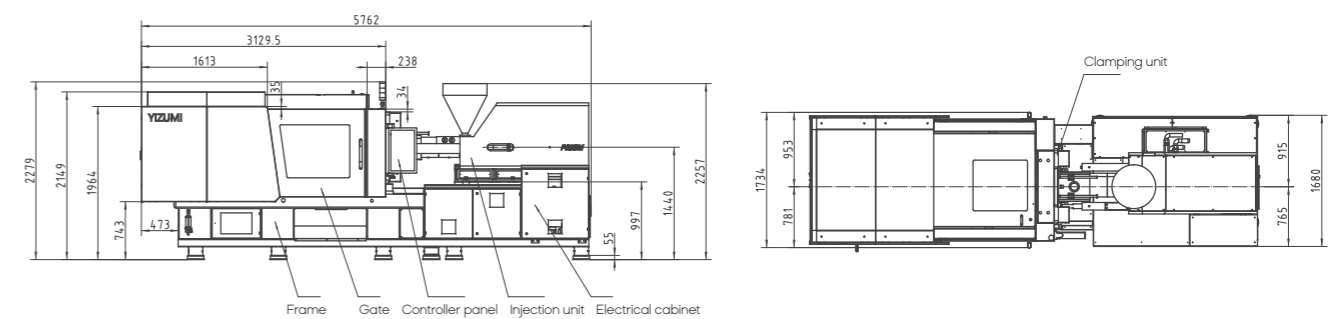
Descriptions		P250M	
International Size		840/2500	
INJECTION UNIT			
Screw diameter	mm	50	55
Screw L:D ratio	-	20:1	
Screw stroke	mm	225	
Theoretical shot volume	cm ³	441	534
Shot weight (PP)	g	318	384
	oz	11.2	13.5
Injection pressure	MPa	191	157
Injection speed	mm/s	212	
Screw speed	r/min	0-300	
CLAMPING UNIT			
Clamping force	kN	2500	
Opening stroke	mm	560	
Space between tie bars (WxH)	mmxmm	620x580	
Mold thickness (min.-max.)	mm	250-600	
Max. daylight	mm	1160	
Ejector force	kN	137	
Ejector stroke	mm	180	
Number of ejector pin holes	-	13	
POWER UNIT			
Max. system pressure	MPa	17.5	
Motor power	kW	63	
Heating power	kW	15	20
Number of temperature control zones	-	5	
GENERAL			
Oil tank capacity	l	650	
Machine dimensions (LxWxH)	m	5.76x1.73x2.28	
Machine weight	Kg	10500	

- Note: 1. Theoretical shot volume= barrel sectional area * injection stroke
 2. Shot weight=shot volume * 0.72 (for GPPS)
 3. Due to improvement, specifications may be changed without prior notice.
 4. Please let us know if you have engineering-plastics products (PVC, PC or PMMA etc.) or any special requirement.

Platen Dimensions



Machine Dimensions

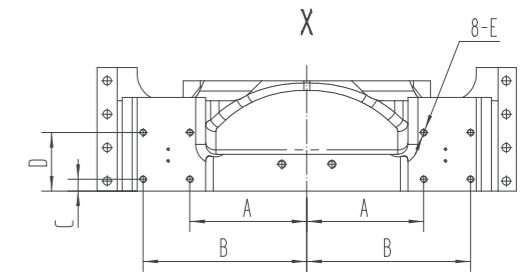
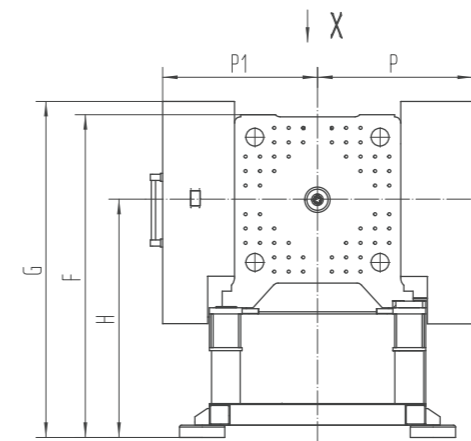


P300M Specifications

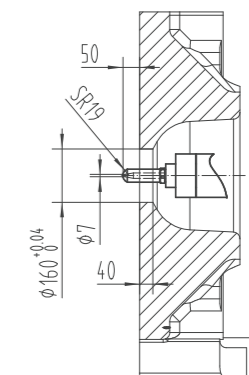
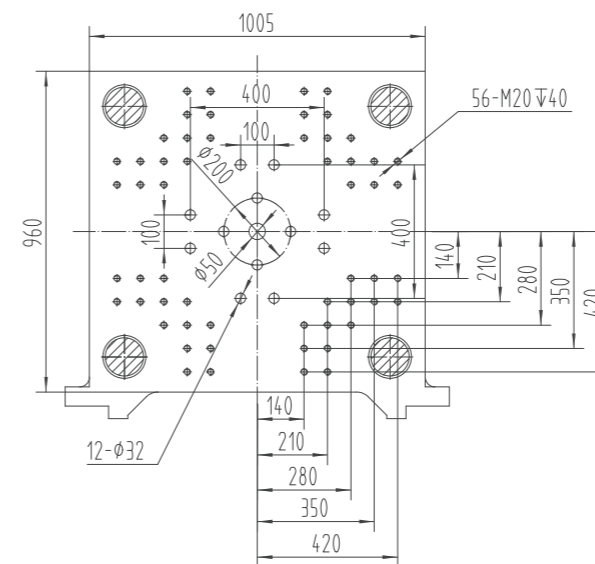
Descriptions		P300M	
International Size		1480/3000	
INJECTION UNIT			
Screw diameter	mm	60	65
Screw L:D ratio	-	20:1	
Screw stroke	mm	270	
Theoretical shot volume	cm ³	763	895
Shot weight (PP)	g	549	644
	oz	19.4	22.7
Injection pressure	MPa	194	166
Injection speed	mm/s	239	
Screw speed	r/min	0-300	
CLAMPING UNIT			
Clamping force	kN	3000	
Opening stroke	mm	610	
Space between tie bars (WxH)	mmxmm	680×635	
Mold thickness (min.-max.)	mm	300-650	
Max. daylight	mm	1260	
Ejector force	kN	137	
Ejector stroke	mm	180	
Number of ejector pin holes	-	13	
POWER UNIT			
Max. system pressure	MPa	17.5	
Motor power	kW	55+45	
Heating power	kW	23	30
Number of temperature control zones	-	5	
GENERAL			
Oil tank capacity	l	730	
Machine dimensions (LxWxH)	m	6.43x1.83x2.35	
Machine weight	Kg	12600	

- Note: 1. Theoretical shot volume= barrel sectional area * injection stroke
 2. Shot weight=shot volume * 0.72 (for GPPS)
 3. Due to improvement, specifications may be changed without prior notice.
 4. Please let us know if you have engineering-plastics products (PVC, PC or PMMA etc.) or any special requirement.

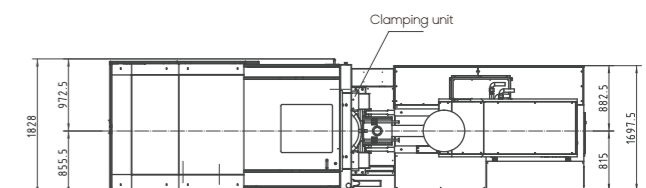
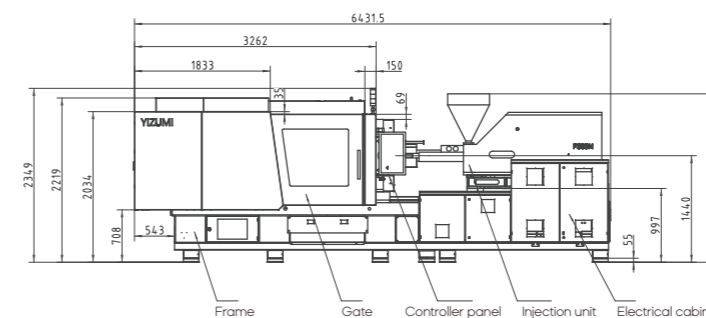
Platen Dimensions



Model	A	B	C	D	E
P300M	300	420	35	175	M20 ∇ 40
	F	G	H	P1	P
	1920	1954	1435	920	750



Machine Dimensions



YIZUO

THINK
TECH FORWARD